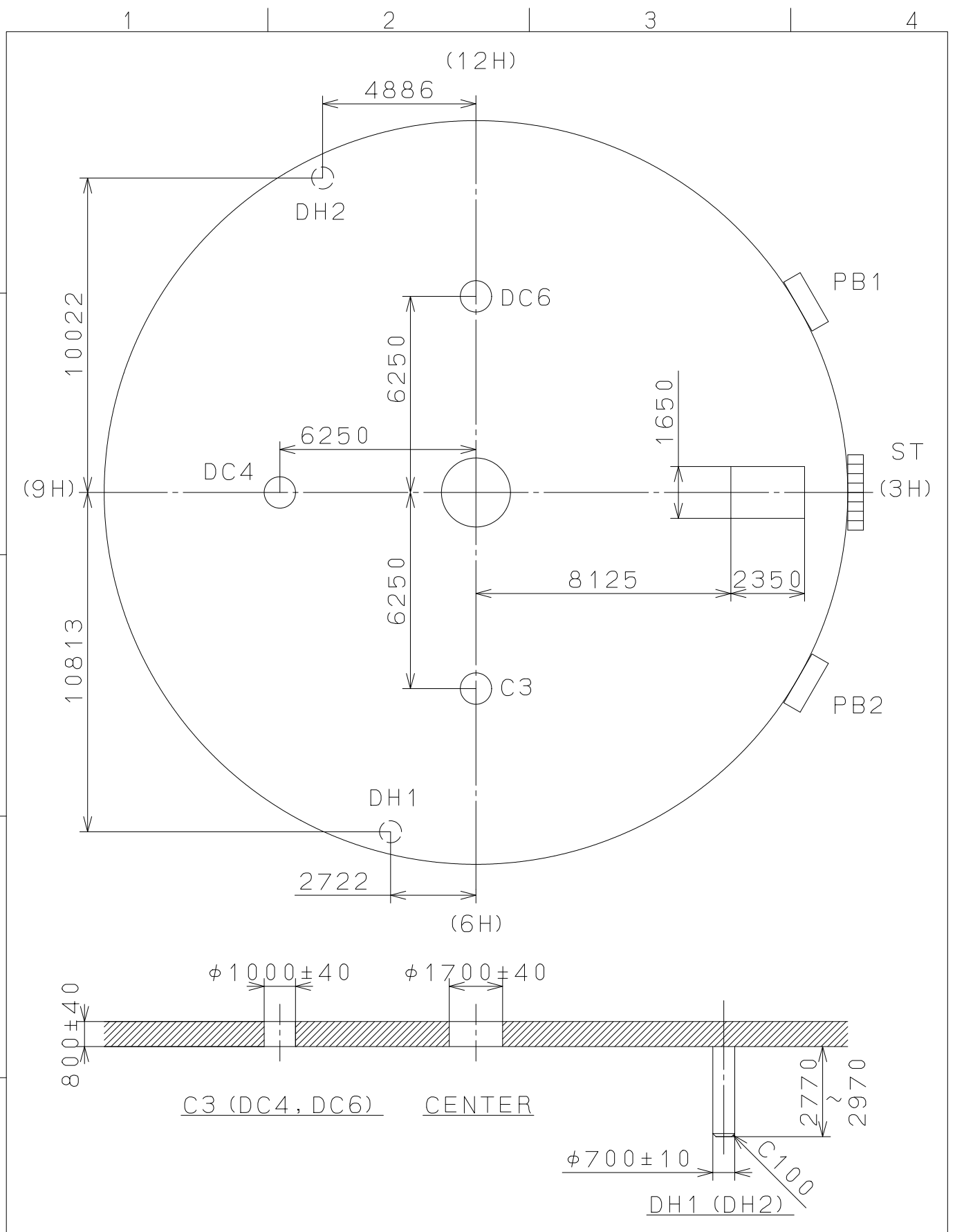


2008/06/23 (15:57:35)

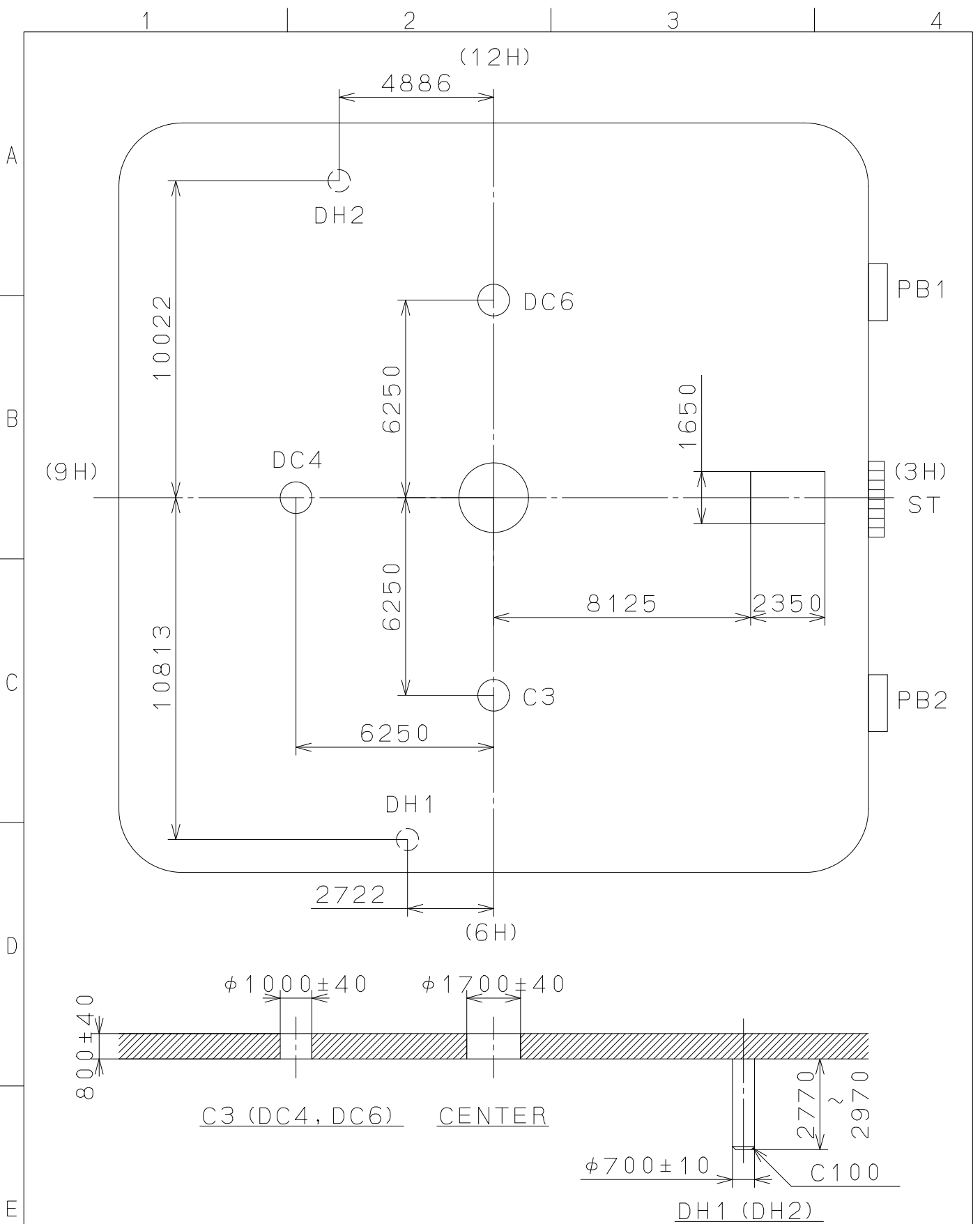
This drawing is provisional and subject to our reconfirmation and/or revision without notice.



△			Quantity		Cal.NO.:
△			Unit	1/1000mm	FS13-00A
△			Scale	6:1	Parts No.:
△			Date		
△			Drawn		
Mark	Date	Description	Appr.	Checked	Name:
		Alterations	Approved	N. Suzuki	Indications for Dial
Material					Drawing No.: FS13D000
Heat Treatment			General Tolerances		
Hardness			Dimensions		
Plating			Angles		
				CITIZEN WATCH CO., LTD. TOKYO, JAPAN	

2008/06/23 (15:58:18)

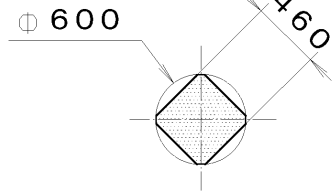
This drawing is provisional and subject to our reconfirmation and/or revision without notice.



△			Quantity		Cal.NO.:
△			Unit	1/1000mm	FS14-00A
△			Scale	6:1	Parts No.:
△			Date		
△			Drawn		
Mark	Date	Description	Appr.	Checked	Name:
		Alterations	Approved	N. Suzuki	Indications for Dial
Material					Drawing No.: FS14D000
Heat Treatment			General Tolerances	MIYOTA CITIZEN WATCH CO., LTD. TOKYO, JAPAN	
Hardness			Dimensions		
Plating			Angles		

This drawing is provisional and subject to our reconfirmation and/or revision without notice.

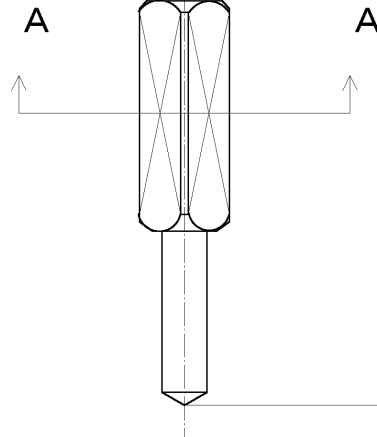
*** T I P W 065-549 (01) *** (2100 1121) 01-12-07



Section A-A

S0. 9, P=0. 225mm

⌀ 1000



<table border="1"> <tr><td>7</td><td></td></tr> <tr><td>6</td><td></td></tr> <tr><td>5</td><td></td></tr> <tr><td>4</td><td></td></tr> <tr><td>3</td><td></td></tr> <tr><td>2</td><td></td></tr> <tr><td>1</td><td></td></tr> </table>		7		6		5		4		3		2		1		Quantity		Cal. No. :	
7																			
6																			
5																			
4																			
3																			
2																			
1																			
		Unit	1/1000 mm	Parts:	065-549														
		Scale	20:1																
		Date		Name:	SETTING STEM														
		Drawn																	
		Checked	T. Hiruta	Drawing No. : 5490S000															
		Approved																	
Material																			
Heat Treatment		General Tolerances		CITIZEN WATCH CO., LTD. TOKYO, JAPAN															
Hardness		Dimensions																	
Plating		Angles																	